



TB210R



TB216



TB230



TB240



TB260



TB280FR



TB290



TB1140 SERIES 2



# Product Features & Specifications

## ENGINE

- U.S. EPA Final Tier 4 Compliant
- Turbocharged
- DOC+DPF Exhaust After Treatment
- Automatic Fuel Bleed System
- Dual Element Air Filter
- Automatic Idle
- Working Modes : Power, Eco, and High Altitude
- Engine Preheat Starting Aid
- High Capacity Radiator and Hydraulic Oil Cooler
- High Capacity Fuel Filters

## ELECTRICAL

- 5.7" Color Multi-Informational Display
- Sealed Rocker Switches
- 12 volt System with 80 amp Alternator
- Halogen Work Lights: Boom and Cab
- Travel Alarm
- Horn

## TAKEUCHI FLEET MANAGEMENT

- 2 Year Standard Service
- Minimize Downtime
- Remote Diagnostics
- Utilization Tracking
- Proactive Maintenance
- Control Costs

## UNDERCARRIAGE AND FRAME

- Triple Flanged Track Rollers
- 2-Speed Travel with Automatic Shift
- High Torque Planetary Final Drive
- Auto Track Tensioning
- Heavy Duty Dozer Blade with Float
- Large Wraparound Counterweight
- 17.7" Rubber Tracks
- 17.7" Steel Tracks (optional)
- 17.7" Segmented Rubber Tracks (optional)

## OPERATOR'S STATION

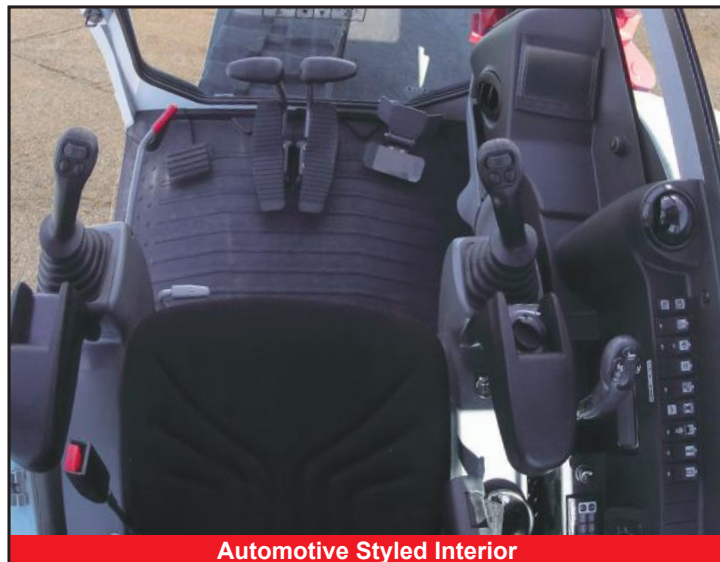
- Cab with Air Conditioner, Heat Defrost, Windshield Wiper and Washer, Skylight with Sunshade, AM / FM / MP3 Radio, 12v Power Outlet
- ROPS and OPG Level 1
- Deluxe High Back Suspension Seat
- Adjustable Arm Rests
- 2" Retractable Seat Belt
- 3" Retractable Seat Belt (optional)

## HYDRAULIC & WORKING EQUIPMENT

- Variable Displacement, Open Center Hydraulics
- Cushioned Boom, Arm, and Swing Cylinders
- Hydraulic Pilot Controls
- Proportional Auxiliary Controls with Detent
- Adjustable Auxiliary Flow
- Large Hydraulic Reservoir with Fluid Level Sight Gauge
- Primary and Secondary Auxiliary Hydraulic Circuit Plumbed to Arm
- Multiple Attachment Presets
- Flow Selector Valve, Primary Auxiliary Circuit
- Pilot Accumulator
- Pattern Change Valve (ISO or SAE)
- Main Boom Cylinder Guard
- Boom Holding Valve with Lift Overload Alarm
- Long Arm
- Full Rotation Capability and Patented STS Boom
- Dual Pin Position Bucket (optional)
- Mechanical Bucket Quick Coupler (optional)
- Main Pin Hydraulic Thumb (optional)

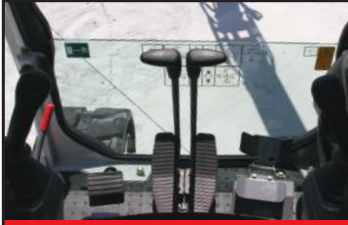


Side to Side Boom Design



Automotive Styled Interior

# TOUGH, POWERFUL, RELIABLE



Large Floor with Foot Rest



Wraparound Counterweight



Triple Flanged Track Rollers



Work Lights

The TB280FR is a unique platform that separates itself from the competition with its unique side-to-side (STS) boom configuration and full rotation (FR) capabilities. One of the greatest benefits of the STS boom is the unmatched visibility to the attachment and job site. This design also allows the boom to be stowed over center in the full upright position enabling it to make a full rotation (FR) within a very tight radius allowing it to work within similar confines

as a smaller 5 ton machine for greater performance and productivity. Additional features include an updated cabin with automotive styled interior, color multi-informational display, multiple attachment presets with operator adjustable flow rates, dual auxiliary hydraulic circuits allowing the operator to run a wide range of attachments, boom holding valve, overload alarm, backfill blade with float position, and a tilt-up cab for greater serviceability.



A tilt-able cabin and large lockable service hoods provide outstanding maintenance access.

## OPERATING PERFORMANCE

Operating Weight - Cab (Rubber)	18,810 lb	(8,530 kg)
Cab (Steel)	19,240 lb	(8,730 kg)
Maximum Bucket Breakout Force	16,335 lb	(7,409 kg)
Maximum Arm Digging Force	7,037 lb	(3,192 kg)
Arm Length	6 ft 7.0 in	(2,000 mm)
Slew Speed	10.0 rpm	
Traction Force	19,783 lb	(8,973kg)
Ground Pressure - Cab (Rubber)	5.5 psi	(38.1 kPa)
Cab (Steel)	5.7 psi	(39.5 kPa)
Max Travel Speed		
Low Range	1.7 mph	(2.7 km / hr)
High Range	3.2 mph	(5.2 km / hr)

## HYDRAULIC SYSTEM

Total Hydraulic Flow	52.5 gpm	(198.0 Lpm)
Auxiliary Flow - Primary Circuit	39.0 gpm	(148.0 Lpm)
Auxiliary Flow- Secondary Circuit	15.0 gpm	(58.0 Lpm)
Hydraulic System Pressure	3,990 psi	(27.5 MPa)

## ENGINE

Make / Model	Yanmar / 4TNV98CT	
Displacement	202 cu in	(3.3 L)
Horsepower @ 2,000 rpm	69.2 hp	(51.6 kW)
Maximum Torque @ 1,300 rpm	227.2 ft-lb	(308 Nm)

## FLUID CAPACITIES

Engine Lubrication	9.9 qt	(9.4 L)
Cooling System	14.8 qt	(14.0 L)
Fuel Tank Capacity	26.3 gal	(100.0 L)
Fuel Consumption (65% of Full Load)	2.4 gal / hr	(9.1 L / hr)
Hydraulic Reservoir Capacity	18.7 gal	(71.0 L)
Hydraulic System Capacity	31.7 gal	(120.0 L)



Multi-Informational Display



Unmatched Visibility





Blade Control with Float



Multi-Function Switch Bank

## TB280FR Lifting Capacities at Ground Level\*

Lift Point Radius from Rotation Axis	9 ft (2,743 mm)		12 ft (3,657 mm)	
 Lifting Capacities Over Front, Blade Down	6,829 lb	(3,098 kg)	6,897 lb	(3,128 kg)
 Lifting Capacities Over Side	5,841 lb	(2,649 kg)	3,822 lb	(1,734 kg)

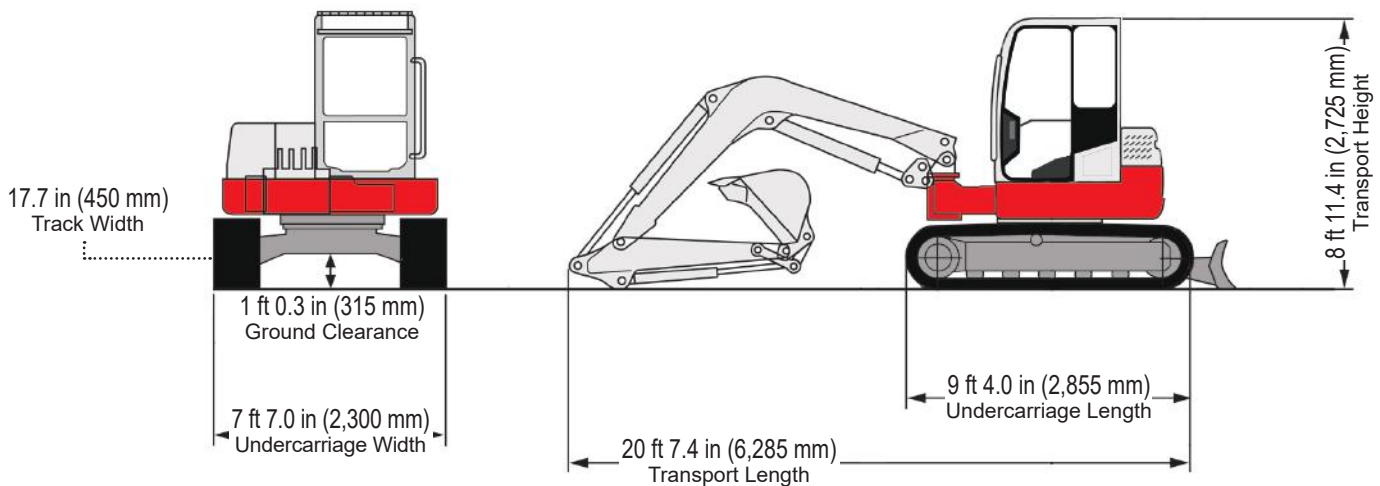
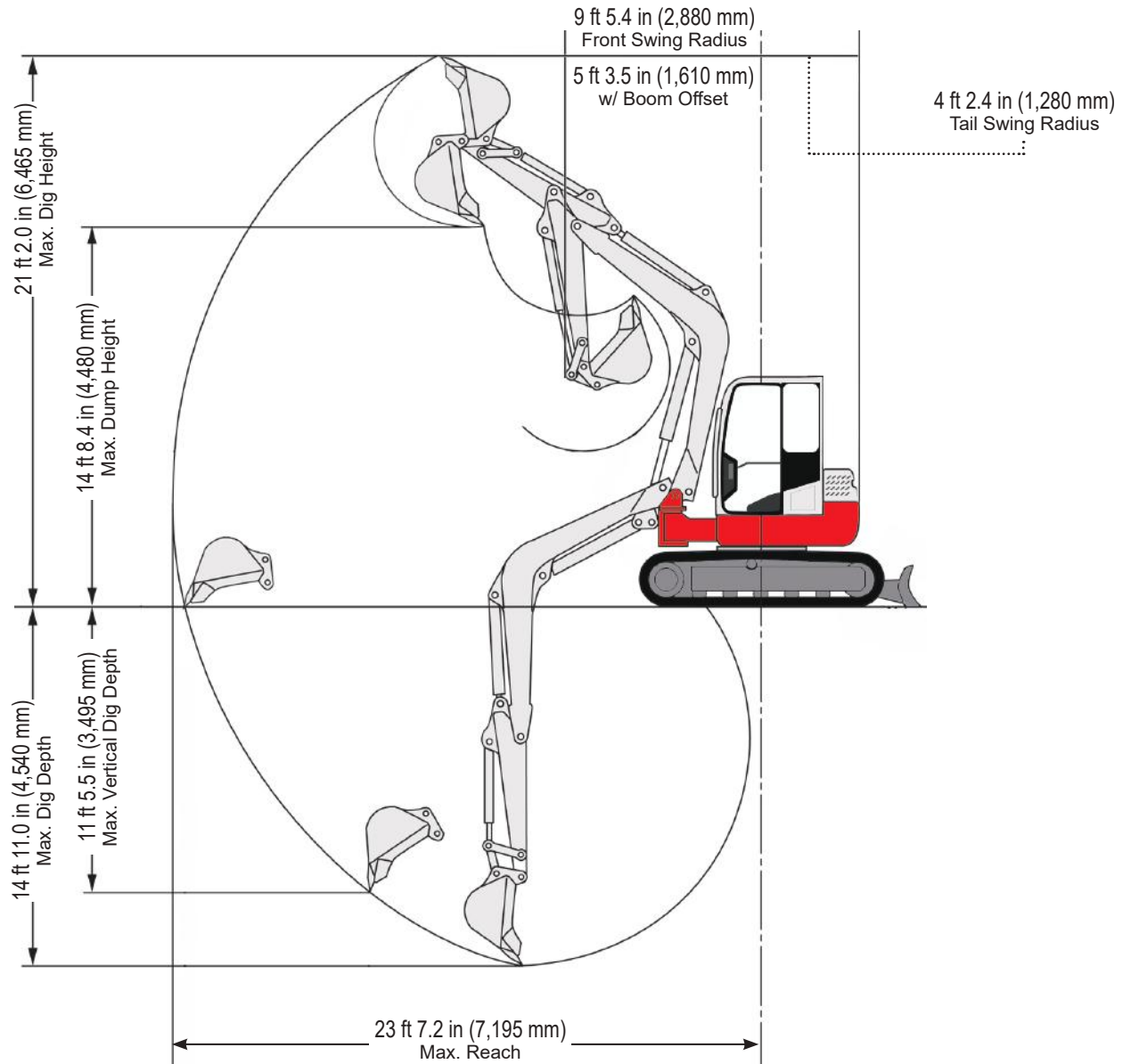
\* Ratings based on ISO10567 and do not exceed 87% of hydraulic lift or 75% of tipping load.

## ATTACHMENTS

Takeuchi now offers attachments for all of your Takeuchi equipment. See your authorized Takeuchi dealer for additional information and attachment options.



# TB280FR Compact Excavator





**2 YEAR**  
**2,000 HOUR**  
**FULL MACHINE**  
**WARRANTY**



© 2016 Takeuchi Manufacturing (U.S.), Ltd. All Rights Reserved. Printed in the U.S.A.  
In accordance with our established policy of continued improvement, specifications and features are subject to change without notice. Pictures may show options other than standard equipment.  
FORM: TB280FR Compact Excavator Spec Sheet July 2016 - (TFM) s/n 178500473 ~

**TAKEUCHI**  
*Those in the know, know Takeuchi*